

# C13 CAT ENGINE BELT DIAGRAM

Welcoming Electronic Book Trends:

1. Incorporation of Multimedia Elements
2. Immersive and Game-based eBooks

Understanding C13 cat engine belt diagram Formats

1. ePub, PDF, Mobipocket, and Others
2. C13 cat engine belt diagram Suitability with Devices
3. C13 cat engine belt diagram Advanced eBook Features

Obtaining C13 cat engine belt diagram

1. No-cost and Paid Electronic Books
2. C13 cat engine belt diagram Public Domain Digital Books
3. C13 cat engine belt diagram Membership Services
4. Budget-Friendly Options

Obtaining Reliable Content on C13 cat engine belt diagram

1. Fact-Checking Electronic Book Content
2. Identifying Credible Information

Promoting Lifelong Education

1. Leveraging Digital Books for Learning New Skills
2. Exploring Educational eBooks

Remaining Involved with C13 cat engine belt diagram

1. Becoming Part of Online Book Communities
2. Attending Virtual Reading Groups
3. Tracking Novelists and Book Producers of C13 cat engine belt diagram

Choosing the Right Digital Book Provider

1. Popular eBook Services
2. Characteristics to Look for in a C13 cat engine belt diagram
3. User-Friendly Layout

Discovering eBook Recommendations from C13 cat engine belt diagram

1. Customized Recommendations
2. Audience Reviews and Ratings of C13 cat engine belt diagram
3. Bestseller Lists

Improving Your Literary Experience

1. Adjustable Fonts and Text Sizes of C13 cat engine belt diagram
2. Highlighting and Annotating in C13 cat engine belt diagram
3. Immersive Elements in C13 cat engine belt diagram

Balancing Digital Books and Printed Books

1. C13 cat engine belt diagram Pros of a Digital Collection

## 2. Developing a Diverse Selection of C13 cat engine belt diagram

### Developing a Book Routine

1. Establishing Literary Goals for C13 cat engine belt diagram
2. Allocating Dedicated Book Time

### Grasping the eBook Market

1. The Rise of Electronic Books
2. Pros of eBooks Over Traditional Books

### Discovering C13 cat engine belt diagram

1. Exploring Different Genres
2. Considering Fiction vs. Non-Fiction
3. Identifying Your Book Goals

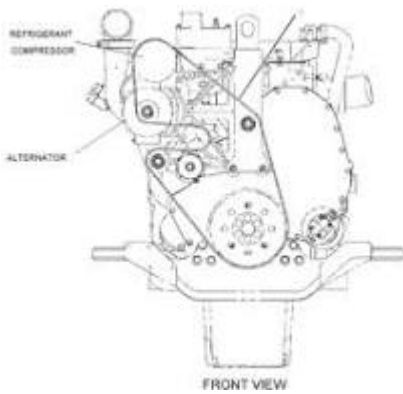


Figure 230-7215 BELT GP-SERPENTINE AN ATTACHMENT C13 TRUCK ENGINE ...  
**230-7215 BELT GP-SERPENTINE AN ATTACHMENT C13 ...**, 230-7215 BELT GP-SERPENTINE AN ATTACHMENT C13 TRUCK ENGINE 230-7215: BELT GP-SERPENTINE Caterpillar SIS Online C13 On-highway Engine KCB00001-UP SEBP3735. [avspare.com/caterpillar/sebp3735/sebp3735352/](http://avspare.com/caterpillar/sebp3735/sebp3735352/)

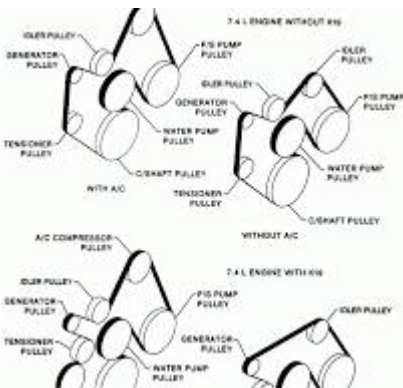


Figure Cat Engine Serpentine Belt Diagram

**How to route the belt on a c-13 cat?**, 22 Mar 2011 — Here is a diagram of most C-13 engines. If yours is different, let me get the engine serial number and i will see what i can come up with. [justanswer.com/heavy-equipment/4r9j8-need-know-route-belt-c-13-cat.html](http://justanswer.com/heavy-equipment/4r9j8-need-know-route-belt-c-13-cat.html)

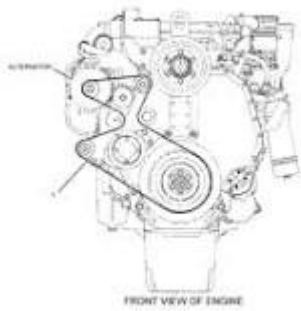


Figure 351-0499 BELT GP-SERPENTINE PROVIDES AN 8-RIB POLY-VEE BELT ...  
**07 peterbilt 365 cat c13 serpentine belt diagram**, 5 Dec 2019 — C13 Belt Routing Diagram - Caterpillar  
 Cat C13 Serpentine Belt Guide | JustAnswer. [justanswer.com/medium-and-heavy-truck/d8nju-07-peterbilt-365-cat-c13-serpentine-belt-diagram.html](https://www.justanswer.com/medium-and-heavy-truck/d8nju-07-peterbilt-365-cat-c13-serpentine-belt-diagram.html)

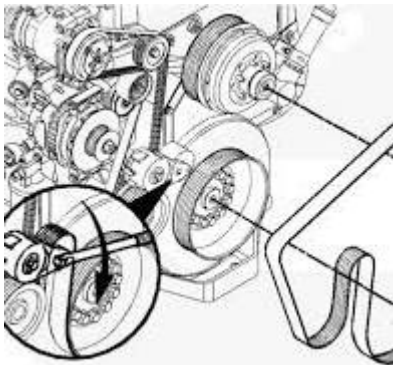


Figure Cat C13 Belt Routing: Find Answers & Diagrams | JustAnswer  
**292-7107 BELT-SERPENTINE FIELD INSTALLATION C13 ...**, 292-7107 BELT-SERPENTINE  
 FIELD INSTALLATION C13 TRUCK ENGINE 292-7107: BELT-SERPENTINE Caterpillar SIS Online  
 C13 On-Highway Engine LEE00001-UP SEBP4356. [avspare.com/caterpillar/sebp4356/sebp4356357/](https://www.avspare.com/caterpillar/sebp4356/sebp4356357/)

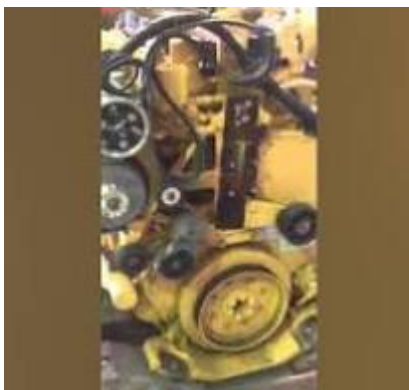


Figure C13 Acert truck engine - YouTube  
**CAT C13 Engine PDF | PDF | Asbestos**, Cat replacement parts. Use the following guidelines or by wet  
 sweeping. Do ... Fan Drive Belt Alternator Belt Capacity of the Lubrication System scribd  
[com/document/437847152/CAT-C13-Engine-pdf](https://www.scribd.com/document/437847152/CAT-C13-Engine-pdf)

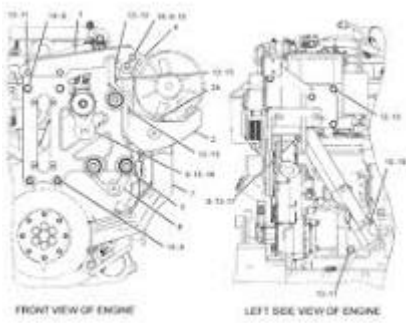


Figure 292-7107 BELT-SERPENTINE FIELD INSTALLATION C13 TRUCK ENGINE ...

**Cat Engine Serpentine Belt Diagram**, 31 Aug 2016 — I have a 2006 Intrigue with C13 engine. Does anyone have the part number for the serpentine belt. I have the original Cat number but didn't have ...  
[pinterest.com/pin/738801513857730921/](https://pinterest.com/pin/738801513857730921/)

**CAT C13 Belt for Sale**, [vanderhaags.com/detailview.php?manufacturer=cat&model=c13&inventorytype=engine-belt&wcf=parentmodel](https://vanderhaags.com/detailview.php?manufacturer=cat&model=c13&inventorytype=engine-belt&wcf=parentmodel)

**caterpillar C13 engine fan belt**, [youtube.com/watch?v=S2eUKn13ILo](https://youtube.com/watch?v=S2eUKn13ILo)

**C13 Serpentine Belt - Country Coach Forums**, [countrycoachforums.com/index.php?topic=204290](https://countrycoachforums.com/index.php?topic=204290)

## Reference of How to route the belt on a c-13 cat?

- |   |   |
|---|---|
| <ol style="list-style-type: none"> <li>1. Kattegat (redirect from The Kattegat)</li> </ol>  | <p>northeastward through the shoals to Tjörn Island. On the South: The limits of the Baltic Sea in the Belts and Sound: In the Little Belt: A line joining Falshöft...</p>  |
| <ol style="list-style-type: none"> <li>2. Sri Guru Ram Das Ji International Airport (category Coordinates on Wikidata)</li> </ol> | <p>conveyor belts for arrivals. The apron has been extended to cater for parking of a total of 25 aircraft (8 Category 'E', 3 Category 'D' and 13 Category 'C' types...</p> |
| <ol style="list-style-type: none"> <li>3. Cat's eye (road)</li> </ol>   | <p>A cat's eye or road stud is a retroreflective safety device used in road marking and was the first of a range of raised pavement markers. The cat's eye...</p>           |
| <ol style="list-style-type: none"> <li>4. Ontario (redirect from CA-ON)</li> </ol>  | <p>R.S.O. 1990, c. M.45". Government of Ontario. July 24, 2014. Archived from the original on March 7, 2014. Retrieved April 23, 2019. "How Municipal Government...</p>     |
| <ol style="list-style-type: none"> <li>5. Julie Newmar</li> </ol>   | <p>Russell in Route 66, filmed in Tucson ("How Much a Pound Is Albatross") and in Tennessee ("Give the Old Cat a Tender Mouse"). She guest-starred in The Twilight...</p>   |
| <ol style="list-style-type: none"> <li>6. 2017 in American television</li> </ol>  | <p>1 made over \$600m and had the most valuable belt ever made". talkSPORT. September 21, 2022. Archived from the original on July 19, 2023. Retrieved July...</p>          |
| <ol style="list-style-type: none"> <li>7. 2024 in science</li> </ol>  | <p>confirming 2023 as the warmest year on record globally, at 1.43 °C (2.57 °F) above the 1850–1900 baseline. This is 0.14 °C (0.25 °F) above the previous record...</p>    |
| <ol style="list-style-type: none"> <li>8. Rocky Mountain Trench (category Coordinates on Wikidata)</li> </ol>                     | <p>A route was a Stikine option similar to Highway 37 of today. The B route favors the Trench option. The C route following the airfields east of the Rocky...</p>          |
| <ol style="list-style-type: none"> <li>9. Houston (redirect from Houston, Texas, U.S.A.)</li> </ol>                               | <p>Rust Belt states moved to Texas in large numbers. The new residents came for numerous employment opportunities in the petroleum industry, created as a result...</p>     |

10. Elvis Presley (redirect from I'm going to the bathroom to read.)  
Black Belt. pp. 48–54. Retrieved December 17, 2017. Cosby, James A. (2016). Devil's Music, Holy Rollers and Hillbillies: How America Gave Birth to Rock...
11. Left- and right-hand traffic (redirect from Driving on the left or on the right)  
speeding and seat-belt laws. That day and the following were declared public holidays, to reduce traffic. The change included a three-day ban on alcohol sales...
12. Big Dig (redirect from The Big Dig)  
disruptive Inner Belt, Governor Francis Sargent put a moratorium on highway construction within the Route 128 corridor, except for the final short stretch...
13. 2024 deaths in the United States  
85, football player (Hamilton Tiger-Cats) (b. 1938) (death announced on this date) Larry Collins, 79, guitarist (The Collins Kids) and songwriter ("Delta...
14. List of indie pop artists (section C)  
Gypsy and the Cat HAIM Emily Haines Luke Haines Half Alive Half-Handed Cloud Half Man Half Biscuit Halsey Hanson The Happy Bullets Have a Nice Life Maya...
15. High-frequency Active Auroral Research Program (category Coordinates on Wikidata)  
magnetosphere and propagate to the other hemisphere, interacting with Van Allen radiation belt particles along the way VLF remote sensing of the heated ionosphere...
16. Catskill Mountains (redirect from The Catskill Mountains)  
Creek. While the meaning of the name ("cat creek [kill]" in Dutch) and the namer (early Dutch explorers) are settled matters, how and why the area is named...
17. Wee Sing (redirect from Under the Sea (Wee Sing))  
Annie find her on their gameboard playing with their cat, Staccato, and as a reward, they are invited to attend the Wee Sing Festival, and the singing rainbow...
18. Cleveland (redirect from Cleveland, Ohio, U.S.A.)  
suburbs, the Snow Belt reaches up the Lake Erie shore as far as Buffalo. The all-time record high in Cleveland of 104 °F (40 °C) was established on June 25...
19. Bennie Briscoe  
job with the sanitation department, working on a trash route in South Philadelphia as he continued to train as a boxer. A union worker, he was a member...
20. Wetumpka, Alabama (redirect from Christmas on the Coosa)  
the king. In 2022, the city received worldwide ridicule after jailing two elderly women attempting to feed and neuter stray cats The placename Wetumpka...



Figure 2017 Arctic Cat 1000 XT EPS - 951cc Prices and Values | J.D. ...

**2017 Arctic Cat 1000 XT EPS WHITE (A2017AGW1PUSW) ...**, Shop our large selection of 2017 Arctic Cat 1000 XT EPS WHITE (A2017AGW1PUSW) OEM Parts, original equipment manufacturer parts and more online or call at ... [arcticcatpartshouse.com/oemparts/l/arc/57d19e0b87a86612c88cb358/2017-1000-xt-eps-white-a2017agw1pusw-parts](http://arcticcatpartshouse.com/oemparts/l/arc/57d19e0b87a86612c88cb358/2017-1000-xt-eps-white-a2017agw1pusw-parts)



Figure 2015 Arctic Cat 1000 XT EPS - 951cc Special Notes, Prices ...

**Arctic Cat 1000 XT - technical data, prices, reviews**, 21 Mar 2015 — The can am is just super soft suspension and they have industry leading power that is just not there in the cat line up so far. It depends what ... 1000ps.com/en-us/model/9057/arctic-cat-1000-xt

**2017 Arctic Cat 1000 XT EPS**, Research 2017 Arctic Cat 1000 XT EPS - 951cc standard equipment and specifications at J.D. Power. [atv.com/specs/arctic-cat/utility/2017/1000/xt-eps/detail.html](http://atv.com/specs/arctic-cat/utility/2017/1000/xt-eps/detail.html)

**2015 Arctic Cat 1000 XT EPS - 951cc Prices and Values**, ARCTIC CAT 1000 XT EPS 1000 ; Displacement: V-Twin, 4-Stroke cm<sup>3</sup> ; Bore X Stroke: 3.6x2.8 in OR 91 mm ; Compression Ratio: - ; Horsepower: / KW(hp)/RPM. [jdpower.com/motorcycles/2015/arctic-cat/1000-xt-eps-951cc/values](http://jdpower.com/motorcycles/2015/arctic-cat/1000-xt-eps-951cc/values)

**looking for some info on the 1000 xt**, Excellent shock absorption, large shoulder lugs for added traction and a wide footprint make this tire a perfect match to all that power. Aluminum rims give it ... [arcticchat.com/threads/looking-for-some-info-on-the-1000-xt-364155/](http://arcticchat.com/threads/looking-for-some-info-on-the-1000-xt-364155/)

**2017 Arctic Cat 1000 XT (EPS) Specs**, [jdpower.com/motorcycles/2017/arctic-cat/1000-xt-eps-951cc/specs](http://jdpower.com/motorcycles/2017/arctic-cat/1000-xt-eps-951cc/specs)

**ARCTIC CAT 1000 XT EPS (2017-Present) Specs, ...**, [autoevolution.com/moto/arctic-cat-1000-xt-eps-2017.html](http://autoevolution.com/moto/arctic-cat-1000-xt-eps-2017.html)

**2017 Arctic Cat® 1000 XT EPS Base**, [kramersinc.com/inventory/v1/2017/Arctic-Cat/By-Body-Type/ATV/Big-Bore/1000-XT-EPS](http://kramersinc.com/inventory/v1/2017/Arctic-Cat/By-Body-Type/ATV/Big-Bore/1000-XT-EPS)

**Alltera TRV 1000 XT EPS**, [bivakas.eu/en/atvs-arctic-cat/-alltera-trv-1000-xt-eps](http://bivakas.eu/en/atvs-arctic-cat/-alltera-trv-1000-xt-eps)

**Tes CAT CPNS terdiri dari apa saja?** Pelamar yang lulus seleksi administrasi berhak mengikuti SKD menggunakan Computer Assisted Test (CAT) yang meliputi tes wawasan kebangsaan (TWK), tes intelegensia umum (TIU), dan tes karakteristik pribadi (TKP).

**Apa itu Tryout CPNS?** Tryout Simulasi CAT CPNS merupakan aplikasi yang dikembangkan demi memfasilitasi Peserta Seleksi ASN (CPNS dan Sekolah Kedinasan) untuk mempersiapkan diri menghadapi ujian Seleksi Kompetensi Dasar.

**TKD CPNS terdiri dari apa saja?**

**Soal tes CPNS ada apa saja?** Soal tes SKD CPNS terdiri dari tiga kategori, yakni Tes Wawasan Kebangsaan (TWK), Tes Intelegensi Umum (TIU), dan Tes Karakteristik Pribadi (TKP). Tes karakteristik pribadi untuk CPNS 2024 biasanya mencakup aspek-aspek tertentu yang dianggap penting untuk kesuksesan dalam bekerja di sektor publik.

**Apa itu try out berbasis cat?** Tahu gak sih, kalau CAT atau singkatan dari Computer Assisted Test adalah tes berbasis komputer, dimana nilai dapat dimonitor langsung oleh masyarakat umum saat peserta mengerjakan soal atau usai tes.

**Tes CPNS ada 3 apa saja?** Kemudian, diambil 3x jumlah formasi dengan peringkat nilai tertinggi. Jadi yang perlu diperhatikan, lolos passing grade bukan jaminan bisa melaju ke SKB. Tes SKD terdiri dari 3 komponen, yaitu Tes Wawasan Kebangsaan (TWK), Tes Intelegensi Umum (TIU), dan Tes Kepribadian (TKP).

**Try Out SKD apa saja?** Tes SKD yang meliputi Tes Intelegensia Umum (TIU), Tes Wawasan Kebangsaan (TWK), maupun Tes Karakteristik Pribadi (TKP). Masing-masing jenis ujian memiliki nilai ambang batas berbeda-beda.

**Berapa biaya tes CPNS?** 3. Apakah ada biaya pendaftaran CPNS? Pendaftaran CPNS ini TIDAK DIKENAKAN BIAYA. Segera LAPORKAN apabila ada oknum yang meminta sejumlah uang.

**Berapa Soal CPNS 2024?** Seluruh pelamar PPPK 2024 akan menghadapi sejumlah soal yang dipersiapkan oleh panitia seleksi yakni sebanyak 145 soal.

**Apakah SKD dan TKD itu sama?** SKD lebih menekankan pada pengetahuan dan pemahaman umum tentang negara, kebangsaan, dan kemampuan dasar individu dalam berbagai aspek. Sementara TKD, meskipun sebagian besar memiliki materi yang serupa dengan SKD, juga menambahkan aspek nilai-nilai inti yang diinginkan oleh BUMN dalam karyawannya.

**Tiu terdiri dari apa saja?** Soal TIU Seleksi CPNS 2023 terdiri dari 35 soal dengan nilai jawaban benar sebesar 5 dan nilai jawaban salah sebesar 0. Soal keterampilan berbahasa TIU meliputi analogi, silogisme, dan analisis. Soal keterampilan numerik terdiri dari soal aritmatika, barisan bilangan, perbandingan kuantitatif, dan soal cerita.

**SKD terdiri dari apa saja?** Baca juga: Nilai Ambang Batas SKD Sekolah Kedinasan 2024, Catat Nih! Ketiga materi tersebut yakni Tes Karakteristik Pribadi (TKP), Tes Intelegensia Umum (TIU), dan Tes Wawasan Kebangsaan (TWK). Layaknya tes formal lain, SKD berlangsung dalam durasi tertentu yakni 100 menit.

**Jurusan apa saja tes CPNS 2024?**

**CPNS 2024 syaratnya apa saja?**

**Kapan tes CPNS 2024 dibuka?** Dalam pengumuman resminya, KemenPAN-RB menjelaskan bahwa pendaftaran CPNS 2024 akan dibuka mulai tanggal 20 Agustus 2024 hingga 6 September 2024. Proses pendaftaran dilakukan secara daring melalui portal resmi yang telah disediakan di website <https://sscasn.bkn.go.id>.

**Seleksi cat apa saja?** Ujian Computer Assisted Test (CAT) yang akan dilewati peserta meliputi Tes Kompetensi Dasar (TKD) yang terdiri dari Tes Intelegensi Umum (TIU), Tes Karakteristik Pribadi (TKP), dan Tes Wawasan Kebangsaan (TWK).

**SKD terdiri dari apa saja?** Baca juga: Nilai Ambang Batas SKD Sekolah Kedinasan 2024, Catat Nih! Ketiga materi tersebut yakni Tes Karakteristik Pribadi (TKP), Tes Intelegensia Umum (TIU), dan Tes Wawasan Kebangsaan (TWK). Layaknya tes formal lain, SKD berlangsung dalam durasi tertentu yakni 100 menit.

**Sistem cat itu seperti apa?** Apa itu Computer Assisted Test? CAT merupakan sistem seleksi dengan alat bantu komputer yang digunakan untuk mendapatkan lulusan yang memenuhi standar minimal kompetensi. Sistem CAT ini didesain semudah mungkin, sehingga peserta seleksi dipastikan dapat mengoperasikannya.

**Ujian sistem cat itu apa?** Sebagai tambahan informasi, CAT BKN adalah suatu sistem seleksi dengan alat bantu komputer yang digunakan untuk mendapatkan lulusan yang memenuhi standar kompetensi minimal.

**Bocoran Kisi-kisi Soal SKD CPNS 2024 Lengkap, Pelajari ...**, Jul 1, 2024 — Menurut Keputusan Menpan-RB Nomor 1023 Tahun 2021, soal SKD CPNS terdiri dari 3 kategori, yaitu Tes Wawasan

Kebangsaan (TWK), Tes Intelegensi ... [kitalulus.com/blog/info-cpns/kisi-kisi-cpns-terbaru/](http://kitalulus.com/blog/info-cpns/kisi-kisi-cpns-terbaru/)

**TRYOUT CPNS DAN SIMULASI CAT CPNS - tryout ...**, Kisi Kisi Materi SKD?? Soal CAT CPNS Tes Wawasan Kebangsaan merupakan bagian dari Tes Kompetensi Dasar yang akan diujikan bagi para peserta seleksi cpns untuk ... [tryout.simulasicatcpns.id/](http://tryout.simulasicatcpns.id/)

**Kisi-Kisi Soal Tes SKD/TKD CPNS**, Dibawah ini merupakan kumpulan soal-soal SKD CPNS yang telah sesuai dengan kisi-kisi terbaru berdasarkan PERMENPAN RB NOMOR 23 TAHUN 2019 Tentang Kriteria ... [belajarbros.com/id/cpns/kisi-kisi.php](http://belajarbros.com/id/cpns/kisi-kisi.php)

**Kisi-Kisi Soal CPNS - Kisi-kisi TKD/SKD CPNS**, Kisi kisi TKD/SKD CPNS meliputi: · 1. Tes Wawasan Kebangsaan (TWK) · 2. Tes Intelegensi Umum (TIU) · 3. Tes Karakteristik Pribadi (TKP). [infoasn.id/content-soal-cpns/kisi-kisi-tdk-skd-cpns.html](http://infoasn.id/content-soal-cpns/kisi-kisi-tdk-skd-cpns.html)

**Wajib Catat! Ini Kisi-kisi SKD CPNS Tahun 2024**, Jan 17, 2024 — Perlu diketahui bahwa kisi-kisi SKD CPNS 2024 terdiri dari kisi kisi soal TWK (Tes Wawasan Kebangsaan), kisi kisi soal TIU (Tes Inteligensia ... [aptaschool.com/kisi-kisi-skd-cpns-2024/](http://aptaschool.com/kisi-kisi-skd-cpns-2024/)

**Kisi-kisi Soal SKD CPNS 2024 Lengkap dengan Latihan ...**, 1 day ago — Peserta CPNS akan melakukan tes sebelum resmi menjadi ASN. Inilah kisi-kisi soal SKD CPNS 2024 lengkap dengan latihan dan pembahasan. [detik.com/sumbagsel/berita/d-7521108/kisi-kisi-soal-skd-cpns-2024-lengkap-dengan-latihan-dan-kunci-jawaban](http://detik.com/sumbagsel/berita/d-7521108/kisi-kisi-soal-skd-cpns-2024-lengkap-dengan-latihan-dan-kunci-jawaban)

**Simulasi CAT BKN - No.1 Tryout CPNS PPPK Gratis 2024**, Ikuti Simulasi CAT BKN dan dapatkan prediksi soal CPNS & PPPK sesuai kisi-kisi 2024. Setiap Soal-soal disusun oleh Tim dari BKN & Kementerian. Selain ... [asn.or.id/](http://asn.or.id/)

**Informasi Terkini Kisi-kisi CAT CPNS**, Tes Wawasan Kebangsaan (TWK): Di sini, Anda akan diuji tentang pemahaman kebangsaan, Pancasila, undang-undang dasar, dan kemampuan berpikir kritis. Tes ... [jadiasn.id/kisi-kisi-cat-cpns-2024/](http://jadiasn.id/kisi-kisi-cat-cpns-2024/)

**Tes CPNS 2024 Terdiri dari Apa Saja? Berikut Jenis-jenisnya**, Aug 26, 2024 — Berikut kumpulan kisi-kisi soal CPNS 2024 untuk kategori Seleksi Kompetensi Dasar (SKD) dan Seleksi Kompetensi Bidang (SKB), seperti dirangkum ... [news.detik.com/berita/d-7514743/tes-cpns-2024-terdiri-dari-apa-saja-berikut-jenis-jenisnya#:~:text=Pelamar yang lulus seleksi administrasi,tes karakteristik pribadi \(TKP\)](http://news.detik.com/berita/d-7514743/tes-cpns-2024-terdiri-dari-apa-saja-berikut-jenis-jenisnya#:~:text=Pelamar yang lulus seleksi administrasi,tes karakteristik pribadi (TKP))

**TRYOUT CPNS DAN SIMULASI CAT CPNS - tryout ...**, Aug 7, 2024 — Kisi-Kisi Soal SKD CPNS 2024 ; Tes Wawasan Kebangsaan (TWK) · Nasionalisme · Integritas · Bela negara ; Tes Intelegensia Umum (TIU) · Kemampuan verbal ... [tryout.simulasicatcpns.id/#:~:text=Tryout Simulasi CAT CPNS](http://tryout.simulasicatcpns.id/#:~:text=Tryout Simulasi CAT CPNS) merupakan,menghadapi ujian Seleksi Kompetensi Dasar

**Seleksi Kompetensi Dasar (SKD) - Bimbel Tidar**, <http://bimbeltidar.com/node/158>

**CPNS 2024: Contoh Soal Tes Karakteristik Pribadi (TKP)**, [fahum.umsu.ac.id/blog/cpns-2024-contoh-soal-tes-karakteristik-pribadi-tpk/#:~:text=Soal tes SKD CPNS terdiri,dalam bekerja di sektor publik](http://fahum.umsu.ac.id/blog/cpns-2024-contoh-soal-tes-karakteristik-pribadi-tpk/#:~:text=Soal tes SKD CPNS terdiri,dalam bekerja di sektor publik)

**Kisi-Kisi Materi CPNS 2024 Lengkap Contoh Soal, ...**, [cnindonesia.com/edukasi/20240822100249-561-1136043/kisi-kisi-materi-cpns-2024-lengkap-contoh-soal-persiapan-hadapi-tes](http://cnindonesia.com/edukasi/20240822100249-561-1136043/kisi-kisi-materi-cpns-2024-lengkap-contoh-soal-persiapan-hadapi-tes)

**Catat Kisi-Kisi Soal SKD Tes CPNS 2024 dan Nilai ...**, kelaswork.com/blogs/kisi-kisi-soal-skd-cpns

**What are the essential questions of The Black Cat?** Essential Questions for “The Black Cat” What is the cycle of domestic violence? How can guilt manifest itself in the world around us? Is perverseness an essential quality of human nature? Can a person ever get away with a truly evil act, or are they always found out somehow?

**What is the main message of The Black Cat?** “The Black Cat” can be read as a temperance tale, a story that warns of the disastrous effect alcohol can have on a person's life and the happiness of their household. The story explores how alcoholism causes the narrator to behave like the tyrant of his household, caring only for his own needs and emotions.

**What is the first cat's name in The Black Cat?** The eponymous cat is named Pluto after the Roman god of the Underworld. Although Pluto is a neutral character at the beginning of the story, he becomes antagonistic in the narrator's eyes once the narrator becomes an alcoholic.



**What does the fire symbolize in The Black Cat?** B.A. Fire is traditionally a symbol of both purification and destruction, and both are much in evidence in the fire that engulfs the narrator's house in "The Black Cat". On the one hand, the fire symbolizes the hell that the narrator is sure that awaits him for carrying out such a heinous act as hanging his cat.

**What is the hidden message of The Black Cat?** The narrator closes up his wife and, accidentally, the second black cat behind a wall, symbolizing how he attempts to repress his guilt. With his wife hidden and the cat out of sight, he is able to sleep through the night, no longer tormented with reminders of how he destroyed his entire happy household.

**What is the main problem in The Black Cat?** In "The Black Cat" the central conflict is the narrator fighting against his own violent and abusive impulses and the supernatural aspect of the cat's presence after its death. In this sense, the story is an example of what's known as "man against himself."

**What is ironic about the ending of The Black Cat?** He thinks he has got away with murder, but in the end, one learns that he had accidentally buried the cat alive with his wife. The cat reveals his hiding spot when he is caught by the police.

**What is the central purpose of The Black Cat?** More than any of Poe's stories, "The Black Cat" illustrates best the capacity of the human mind to observe its own deterioration and the ability of the mind to comment upon its own destruction without being able to objectively halt that deterioration.

**Why did the man hang the cat in The Black Cat?** Instead of feeling remorseful, the narrator just feels irritated at the cat's behavior. The narrator hangs the cat 'in cold blood' from a tree. That night, his house burns down. The narrator, his wife, and their servant all escape the fire unharmed, but the fire destroys his home and all of his possessions.

**Why does the narrator cut out Pluto's eye?** In "The Black Cat" by Edgar Allen Poe, the narrator cuts out one of the eyes of his cat, Pluto, because of his increasing alcoholism and resulting madness. The narrator in "The Black Cat" becomes increasingly unstable as the story progresses, due to his excessive drinking and resulting guilt.

**How did the police find the wife's body in The Black Cat?** Commenting upon the solid craftsmanship of the house, he taps on the wall—behind which is his wife's body—with a cane. In response to the tapping, a long, loud cry emanates from behind the wall. The police storm the wall and dismantle it, discovering the hidden corpse. Upon its head sits the missing cat.

**Why did black cat become black cat?** Unable to exact revenge against the man who ruined her life, Felicia becomes a cat burglar like her father, determined to be even better than he was. Donning a black costume and mask, she becomes the Black Cat and seeks to steal from the world to replace what was taken from her.

**What is the deeper meaning of black cat?** Black cats are thought to be spiritual guardians and protectors due to their connection to goddesses in mythology and folklore. Some people view black cats as bad luck due to their connection to witchcraft. This belief started in the Middle Ages and continues in modern pop culture.

**What does the alcohol symbolize in The Black Cat?** the narrator is observed to suddenly flip into a blind rage towards his animals and wife to which he then later quickly swaps back to a more depressive and slower state. To quell this sudden shift in the psyche, he then turns to drink excessively as a means to alleviate these self-destructive tendencies.

**What is the metaphor of The Black Cat Edgar Allan Poe?** A black cat naturally symbolizes evil and for Poe to say that when he sees a black cat, he feels anger, this gives the reader an idea that the black cat in Poe's short story, also symbolizes evil. Poe uses symbolism to impact the overall tone of the story by using symbolism and imagery throughout his story.

**What is the allegory in The Black Cat?** Specifically, "The Black Cat" functions as a racial allegory that depicts the injustices of slavery and, ultimately, shows how slavery damns the South.

**What is the main theme of The Black Cat?** The main themes in The Black Cat are guilt, madness, and alcohol abuse. Guilt: The narrator is consumed by guilt, which leads him to commit increasingly horrific acts.

**What does the eye symbolize in The Black Cat?** The eyes can symbolize judgment, persecution, and the action of being observed. Eyes are often described as the window to the soul, and in this story, the black cat is also symbolic of the soul; perhaps the narrator doesn't like what is reflected to him when he sees the cat or the cat sees him.

**What is the lesson of The Black Cat?** The lesson of "The Black Cat" is that guilt cannot be avoided and has lasting repercussions. The narrator accidentally kills a family pet while intoxicated. He is reminded of the deed by a new pet, which makes him feel guilty and enraged.

**What is the mental illness in The Black Cat?** Edgar Allan Poe's The Black Cat Essay The mental illness of paranoia was not given its name until the twentieth century. What the narrator is suffering from would be called paranoia today. The definition of paranoia is psychosis marked by delusions and irrational decisions.

**Who is the killer in The Black Cat?** The Narrator The murderer of his wife. Haunted by a favorite cat that he hanged, the narrator seeks revenge, only to lash out against his wife.

**What is the central purpose of The Black Cat?** More than any of Poe's stories, "The Black Cat" illustrates best the capacity of the human mind to observe its own deterioration and the ability of the mind to comment upon its own destruction without being able to objectively halt that deterioration.

**What is the lesson of The Black Cat by Edgar Allan Poe?** Guilt. The exploration of how guilt affects people is a common theme in Poe's short stories, and 'The Black Cat' is no exception. The narrator is consumed by guilt about what he's done.

**What is the logic behind black cat?** In some European folklore, black cats are considered common companions of witches and bringers of misfortune if they happened to cross your path. In contrast, Welsh folklore depicts black cats would bring luck to a home and could even be a reliable weather predictor (3).

**What are the elements of the story The Black Cat?** The Black Cat Themes Love and hate are two key themes in the story. The narrator at first loves his pets and his wife, but as madness takes hold, he comes to loathe or dismiss everything that should be of the utmost importance to him.

**"The Black Cat" Flashcards**, He is ashamed of what he did to Pluto. He dreads the cat. How does the new black cat act with the narrator? He follows him everywhere. [quizlet.com/3552299/the-black-cat-flash-cards/](https://quizlet.com/3552299/the-black-cat-flash-cards/)  
**The Black Cat by Edgar Allan Poe - Storyboard That**, Questions & Answers · How does alcohol affect the narrator? · Why does the narrator kill Pluto? · Is the second black cat Pluto? · What happens to the white ... [storyboardthat.com/lesson-plans/the-black-cat-by-edgar-allan-poe#:~:text=Essential Questions for %E2%80%9CThe Black Cat%E2%80%9D&text=What is the cycle of,they always found out somehow%3F](https://storyboardthat.com/lesson-plans/the-black-cat-by-edgar-allan-poe#:~:text=Essential%20Questions%20for%20The%20Black%20Cat%20&text=What%20is%20the%20cycle%20of,they%20always%20found%20out%20somehow%3F)  
**The Black Cat: Themes - SparkNotes**, Who is the main character in "The Black Cat" and what are the characteristics of all characters? Are they round, dynamic, flat, or static? [sparknotes.com/short-stories/the-](https://sparknotes.com/short-stories/the-)



**What is the fuel pressure for a C13 ARD?** -A typical C15 at standard conditions will range in ARD Fuel pressure from 10 to 35 psig (65 to 240kPa) to achieve 1083°F (583°C). - A typical C13 at standard conditions will require 4 to 25 psig (30 to 170kPa) to achieve 1083°F (583°C).

**What is the purpose of an ard?** ARD is an acronym for Admission, Review and Dismissal. An ARD meeting is a meeting of a group of people who help to determine whether or not a student is eligible for special education. That group of people will be the ones who develop the Individual Education Program (IEP) if the student is eligible.

**What is an example of ard?** a suffix forming nouns that denote persons who regularly engage in an activity, or who are characterized in a certain way, as indicated by the stem; now usually pejorative: coward; dullard; drunkard; wizard.

**What is an ard tool?**

**What is the most sought after cat engine?** The Caterpillar 3406E Engine Many consider the CAT 3406E to be one of CAT's most successful and reliable engines, which explains the ongoing high demand for the CAT 3406E rebuild kit. The company first began manufacturing this type of engine in 1993.

**What cat engine has 425 hp?** Caterpillar 3406B-425hp Diesel Engine.

**Which engine is better, Caterpillar or Cummins?** A big area where CAT diesel generators stand out when comparing CAT vs Cummins diesel generators is the fuel efficiency. CAT diesel generators are famous around the world for their top-notch fuel efficiency. They are also much easier to maintain than other generator brands.

**Is a CAT C15 the same as a 3406?** The Caterpillar C15 engine is known to be a good and reliable engine. It's a very popular engine for a reason, and they're a consistent seller for us. The C15 was made to improve on the 3406E. One of the key improvements is that C15 engines see oil leakage less frequently than the 3406E.

**How many MPG does a cat C15 get?** I ve Been Told That The Average MPG for This Setup Is 4.5 - 6.75 Depending on How Its driven.

**How many miles can a C15 cat last?** Thanks for asking your question. I will try and help you out. That is truly awesome you have gotten that many miles out of your C15. The normal life expectancy is 800,000 miles.

**What is a CAT peec engine?**

**What is the ECM in a cat engine?** The Engine Control Module (ECM) is perhaps the most important component of a Caterpillar engine. It's essentially the computer that controls and regulates the different performance parameters of the engine and keeps it performing optimally. If the ECM fails, the engine won't be able to run efficiently.

**What is aftertreatment failed to ignite?** A 357-11 is defined as an "Aftertreatment Loss of Ignition". This code is indicating that the ignition process of the engines Regeneration has failed. When this happens, there could be many things that can cause this. You may have a failed spark plug, plugged ARD head, or a Fuel supply problem to the ARD head.

**How do you read a cat engine number?** CATERPILLAR ENGINE SERIAL NUMBER IDENTIFICATION All Caterpillar ESNs have a similar format. They all begin with a three

number/letter prefix, followed by 7 digits. The prefixes will correspond to a particular model. For example, prefixes of 1LW, 2WS, 5DS, 5EK, and 6TS indicate that the engine is a 3406E.



Figure

**CAT ARD HEAD (On-Road) - Emissions Services**, This ARD HEAD is used for 2007-2009 CATERPILLAR AfterTreatment Systems in on-road truck applications, and some off-road applications. [emissions-services.com/ard](http://emissions-services.com/ard)



Figure

**CAT ARD HEAD (Off-Road) | Emissions Services Unlimited**, This ARD HEAD is used for 2007-NEWER CATERPILLAR AfterTreatment Systems in OFF-ROAD equipment applications, such as Wheel Loaders, Tractors, Generators, Etc. [emissions-services.com/ard-head#:~:text=OFF%2DROAD ARD HEAD!&text=This Caterpillar Aftertreatment regeneration strategy,and plugging the DPF core](http://emissions-services.com/ard-head#:~:text=OFF%2DROAD%20ARD%20HEAD!&text=This+Caterpillar+Aftertreatment+regeneration+strategy,+and+plugging+the+DPF+core)



Figure

**Need some info how the regeneration system works on c13 15 ...**, Mar 20, 2015 — The new improved Aftertreatment Regeneration Device (ARD) combustion head assembly incorporates a high strength material in the electrode to withstand high ... [justanswer.com/medium-and-heavy-truck/8z6t1-need-info-regeneration-system-works-c13-15.html#:~:text=The engine uses what is,the soot in the DPF](http://justanswer.com/medium-and-heavy-truck/8z6t1-need-info-regeneration-system-works-c13-15.html#:~:text=The+engine+uses+what+is,+the+soot+in+the+DPF)

**Caterpillar C32 - Wikipedia**, Mar 10, 2015 — The engine uses what is called an ARD head to light a flame just behind the turbo to increase the exhaust temp to over 1100 degrees. [en.wikipedia.org/wiki/Caterpillar\\_C32#:~:text=The C32B is the most,marine horsepower at 2300 rpm](http://en.wikipedia.org/wiki/Caterpillar_C32#:~:text=The+C32B+is+the+most,+marine+horsepower+at+2300+rpm)

**The Highly effective Efficiency of the Caterpillar C15 6NZ Engine: A**, May 18, 2017 — CAT has had problems with the heater failing. The heater is a coil just like the heating coil on a stove/range. You also must use good efficient ... [apasof.com/the-highly-effective-efficiency-of-the-caterpillar-c15-6nz-engine-a-complete-overview/#:~:text=The Caterpillar C15 6NZ engine has a horsepower vary of,the particular configuration and utility](http://apasof.com/the-highly-effective-efficiency-of-the-caterpillar-c15-6nz-engine-a-complete-overview/#:~:text=The+Caterpillar+C15+6NZ+engine+has+a+horsepower+vary+of,+the+particular+configuration+and+utility)

**CAT ARD HEAD (Off-Road) | Emissions Services Unlimited**, Apr 12, 2013 — The heater coil is in the ARD head. It is used to heat and clean the nozzle in the ARD head. This operates periodically to keep the nozzle that ... [emissions-services.com/ard-head](http://emissions-services.com/ard-head)

**Caterpillar ARD head and regen problems**, Jun 15, 2018 — How much fuel does a Caterpillar ARD head eat? ... Was going through the lifetimes on our 330Horsepwr C9 CAT engine in a 972K loader. [mhhauto.com/Thread-Caterpillar-ARD-head-and-regen-problems](http://mhhauto.com/Thread-Caterpillar-ARD-head-and-regen-problems)

**Need some info how the regeneration system works on c13 ...**, May 27, 2017 — The ARD head was so bad, it needed to be replaced (not uncommon I find ). I have a feeling it isn't in the wiring. [justanswer.com/medium-and-heavy-truck/8z6t1-need-info-regeneration-system-works-c13-15.html](http://justanswer.com/medium-and-heavy-truck/8z6t1-need-info-regeneration-system-works-c13-15.html)

**Cat C9 fall to ignite ARD head**, [irv2.com/forums/f124/cat-c9-fall-to-ignite-ard-head-340734.html](http://irv2.com/forums/f124/cat-c9-fall-to-ignite-ard-head-340734.html)

**Q&A: Cat C15 ARD Head, CGI Gas Temp Sensor, Intake ...**, [justanswer.com/heavy-equipment/7p3oa-](http://justanswer.com/heavy-equipment/7p3oa-)

hi-2009-kenworth-t200-caterpillar-c15.html

**How much fuel does a Caterpillar ARD head eat?**, bigmacktrucks.com/topic/53574-how-much-fuel-does-a-caterpillar-ard-head-eat/

**Cat C9 fall to ignite ARD head - Page 2**, irv2.com/forums/f124/cat-c9-fall-to-ignite-ard-head-340734-2.html

**Is dog and cat anatomy the same?** Although every dog and cat is a little different / has a few anatomical variations, they all have the same basic structure. In fact you may be surprised to learn that our canine and feline companions' bodies and organ systems not only are similar to one another, but to ours as well.

**Do dogs have an atlas?** The first vertebra, or atlas, and the second vertebra, or axis, are held together by ligaments (instead of a disc), which allows a dog to move their head from side to side.

**What are the major differences between cats and dogs?** Behavior Is One of the Main Differences Between Dogs and Cats. During the day, your dog is active and playful. While he may take an occasional nap, he prefers being at your side. A cat, on the other hand, sleeps away much of the daylight hours, preferring to jump into turbo time right before you jump into bed.

**How does cat anatomy compared to human anatomy?** The cat's skeleton is not so different from the human skeleton. The cat has more bones—230 as opposed to 206—but many are identical to those in the human being. Cats have 13 ribs; humans have 12. Cats do have clavicles (collar bones) but unlike humans, they are not attached to other bones.

**What is the atlas in anatomy?** The atlas is the first vertebra of the vertebral column, located in the most superior portion of the cervical region of the vertebral column. The atlas articulates superiorly with the occipital condyles found on each side of the foramen magnum of the skull.

**What is the Atlas bone in animals?** Definition. The first cervical vertebra (Atlas; C1) differs considerably from other cervical vertebrae to allow free movement of the head: The atlas possesses no body and is composed by two lateral masses joined by dorsal and ventral arches, constituting a bony ring for the beginning of the vertebral canal.

**Do dogs have inner balls?** The testes develop near the kidneys within the abdomen and normally descend into the scrotum by two months of age. In certain dogs, it may occur later, but rarely after six months of age. Cryptorchidism may be presumed to be present if the testicles cannot be felt in the scrotum after two to four months of age.

**Are cats as intelligent as dogs?** One of the key differences between the cat brain vs the dog brain is their cognitive function. As discussed, cats are independent thinkers and problem solvers, while dogs tend to be more socially intelligent and trainable. Their brain size is different as well. A dog's brain is typically larger than a cat's brain.

**What do dogs have that cats don't have?** Dogs are a more social species. Dogs have evolved from a social species. They often enjoy some form of companionship. Cats have evolved from a solitary species and don't need other cats to be their friends. In fact, cats can often become stressed when made to live with each other, unless they have a strong social bond.

**Are dogs more loyal than cats?** According to scientific evidence, dogs are more loyal than cats, who can be selfish at times. Maxvets can establish a stronger bond with them. Dogs are social animals in the same way that humans are, so they provide more companionship.

**What do cats have that humans don't?** Cats have 230 bones, while humans only have 206. Cats have an extra organ that allows them to taste scents on the air, which is why your cat stares at you with her mouth open from time to time. Cats have whiskers on the backs of their front legs, as well.

**What is the largest organ in a cat's body?** The skin is the largest organ of your cat's body. It provides a protective barrier against the environment, regulates temperature, and gives your cat its sense of touch. Depending on the species and age, the skin may be 12% to 24% of an animal's body weight.

**Do cats have all the same organs as humans?** Humans and cats are both mammals. Because of this, they share many of the same anatomical structures. We contain most of the same organs, including, brains, eyes, ears, tongues, hearts, lungs, livers, and stomachs. Like humans, cats give birth to live young and nurse them at the beginning of their lives.

**Do all animals have the same anatomy?** Animals, from mice to monkeys, have the same organs (heart, lungs, brain etc.) and organ systems (respiratory, cardiovascular, nervous systems etc.) which perform the same functions in pretty much the same way.

**Are cats and dogs biologically similar?** Is it true that dogs and cats evolved from the same organism? Yes, they evolved from a common ancestor species. It is always about populations and species dividing into two groups and then diverging, not about single individuals that lead to a new species.

**How are cat and dog vertebrae different?** A cat's spine is much more flexible than that of a dog. Their vertebral bones have increased elasticity in the disc between bones when compared to a dog, which is why cats don't have the back problems that dogs tend to have.

**What is the difference between a cat and a dog's skeleton?** Skeletal differences between cats and dogs. In particular, the feline musculoskeletal system is more flexible, skeletal muscles are strip-shaped and the intermediate connective tissue is looser. Cats are relatively smaller in size and have a bigger body surface to body weight ratio, resulting in a lighter skeleton.

**Color Atlas of Clinical Anatomy of the Dog and Cat**, This new edition of this leading reference cuts through a mass of anatomical detail to provide you with a clear guide to the anatomy of the dog and cat guide. [amazon.com/Color-Atlas-Clinical-Anatomy-Dog/dp/072343168X](https://www.amazon.com/Color-Atlas-Clinical-Anatomy-Dog/dp/072343168X)

**The Anatomy of Your Dog or Cat - Bothell Pet Hospital**, Hundreds of color photographs show fresh, unfixed dissections that demonstrate normal tissue appearance. You'll also find radiographs, orientational diagrams, ... [bothellpethospital.com/the-anatomy-of-your-dog-or-cat/#:~:text=Although every dog and cat, but to ours as well](https://www.bothellpethospital.com/the-anatomy-of-your-dog-or-cat/#:~:text=Although every dog and cat, but to ours as well)

**Atlantoaxial Instability in Dogs - PetMD**, Apr 20, 2020 — 218 pages : 32 cm Includes index Revised edition of: Colour atlas of clinical anatomy of the dog and cat Introduction -- Head and neck -- Spinal column -- ... [petmd.com/dog/conditions/musculoskeletal/atlantoaxial-instability-dogs#:~:text=The first vertebra%2C or atlas, head from side to side](https://www.petmd.com/dog/conditions/musculoskeletal/atlantoaxial-instability-dogs#:~:text=The first vertebra%2C or atlas, head from side to side)

**Interesting Differences Between Dogs and Cats - Hill's Pet Nutrition**, Over 300 high-quality colour photographs show fresh, unfixed dissections, demonstrating the normal appearance of the tissue. These are supplemented by more than ... [hillspet.com/au/pet-care/resources/differences-between-cats-and-dogs#:~:text=Behavior is one of the, before you jump into bed](https://www.hillspet.com/au/pet-care/resources/differences-between-cats-and-dogs#:~:text=Behavior is one of the, before you jump into bed)

**Cat Anatomy and Physiology - Colorado 4-H**, Oct 10, 2023 — Color Atlas of Clinical Anatomy of the Dog and Cat John S. Boyd, C. Paterson, A. H. May, 1991. Color Atlas of Clinical Anatomy of the Dog & Cat ... [co4h.colostate.edu/projects/manuals/Cats-WashingtonState-U3.pdf](https://co4h.colostate.edu/projects/manuals/Cats-WashingtonState-U3.pdf)

**Color Atlas of Clinical Anatomy of the Dog and Cat - ...**, Color atlas of clinical anatomy of the dog & cat Available at Vet Library VET (SF767.D6 B69 2001) and other locations ... [abebooks.com/9780723431688/Color-Atlas-Clinical-Anatomy-Dog-072343168X/plp](https://www.abebooks.com/9780723431688/Color-Atlas-Clinical-Anatomy-Dog-072343168X/plp)

**Color atlas of clinical anatomy of the dog & cat**, A COLOUR ATLAS OF CLINICAL ANATOMY OF THE DOG AND CAT By J S Boyd, C. Paterson, Alan May, Calum Patterson - Hardcover. [archive](https://archive.org/)

org/details/coloratlasofclin0000boyd

**Color Atlas of Clinical Anatomy of the Dog and Cat**, ISBN: 9780723431688 - 2nd Edition - Paperback - Mosby Ltd. - 2000 - Condition: new - New - Color Atlas of Clinical Anatomy of the Dog and Cat - Softcover  
goodreads com/book/show/8074401-color-atlas-of-clinical-anatomy-of-the-dog-and-cat

**Color Atlas Of Clinical Anatomy Of The Dog Cat**, Summary: This atlas provides photographic illustrations of the gross anatomy of the dog and cat using, wherever possible, fresh, unprocessed material.

newsproducts brown columbia edu/fill-and-sign-pdf-

form/publication/download/Color\_Atlas\_Of\_Clinical\_Anatomy\_Of\_The\_Dog\_Cat pdf

**Color atlas of clinical anatomy of the dog & cat**, Color Atlas of Clinical Anatomy of the Dog & Cat by J. S. Boyd (1991, Hardcover) ; Condition. Good ; Quantity. 1 available ; Item Number. 386870471304 ;

Subject ... colostate primo exlibrisgroup

com/discovery/fulldisplay/alma991009297969703361/01COLSU\_INST:01COLSU

**A COLOUR ATLAS OF CLINICAL ANATOMY OF THE DOG ...**, ebay com/itm/226257777370

**Color Atlas of Clinical Anatomy of the Dog and Cat - Softcover**, abebooks com/Color-Atlas-Clinical-Anatomy-Dog-Cat/31343259135/bd

**A Color atlas of clinical anatomy of the dog & cat**, worldcat org/title/color-atlas-of-clinical-anatomy-of-the-dog-cat/oclc/605329584

**Color Atlas of Clinical Anatomy of the Dog & Cat by J. S. Boyd ...**, ebay com/itm/386870471304