

JOAN MATORELL TIRANT LO BLANC EDITORIAL LAERTES EDU3 CAT

Welcoming Digital Book Trends:

1. Incorporation of Interactive Media Elements
2. Engaging and Game-based Electronic Books

Understanding Joan matorell tirant lo blanc editorial laertes edu3 cat Formats

1. ePub, Portable Document Format, Mobipocket, and Additional Formats
2. Joan matorell tirant lo blanc editorial laertes edu3 cat Compatibility with Readers
3. Joan matorell tirant lo blanc editorial laertes edu3 cat Enhanced Electronic Book Features

Accessing Joan matorell tirant lo blanc editorial laertes edu3 cat

1. Free and Paid Electronic Books
2. Joan matorell tirant lo blanc editorial laertes edu3 cat Free Domain Electronic Books
3. Joan matorell tirant lo blanc editorial laertes edu3 cat Monthly Services
4. Budget-Friendly Options

Obtaining Reliable Content on Joan matorell tirant lo blanc editorial laertes edu3 cat

1. Confirming Digital Book Material
2. Distinguishing Credible References

Encouraging Lifelong Learning

1. Leveraging Electronic Books for Skill Development
2. Discovering Educational Electronic Books

Remaining Involved with Joan matorell tirant lo blanc editorial laertes edu3 cat

1. Participating in Online Reading Communities
2. Joining Virtual Reading Groups
3. Tracking Authors and Book Producers of Joan matorell tirant lo blanc editorial laertes edu3 cat

Picking the Right Digital Book Platform

1. Well-known eBook Platforms
2. Characteristics to Look for in a Joan matorell tirant lo blanc editorial laertes edu3 cat
3. User-Friendly Design

Discovering Digital Book Recommendations from Joan matorell tirant lo blanc editorial laertes edu3 cat

1. Tailored Recommendations
2. Audience Reviews and Ratings of Joan matorell tirant lo blanc editorial laertes edu3 cat
3. Top-selling Lists

Improving Your Literary Experience

1. Adjustable Fonts and Text Sizes of Joan matorell tirant lo blanc editorial laertes edu3 cat
2. Highlighting and Note-Taking in Joan matorell tirant lo blanc editorial laertes edu3 cat
3. Immersive Elements in Joan matorell tirant lo blanc editorial laertes edu3 cat

Balancing Electronic Books and Physical Books

1. Joan matorell tirant lo blanc editorial laertes edu3 cat Advantages of a Digital Library
2. Building a Diverse Library of Joan matorell tirant lo blanc editorial laertes edu3 cat

Cultivating a Literary Routine

1. Setting Book Goals for Joan matorell tirant lo blanc editorial laertes edu3 cat
2. Carving Out Dedicated Reading Time

Grasping the Electronic Book Market

1. The Rise of Electronic Books
2. Benefits of eBooks Over Traditional Books

Discovering Joan matorell tirant lo blanc editorial laertes edu3 cat

1. Exploring Different Genres
2. Evaluating Fiction vs. Non-Fiction
3. Determining Your Literary Goals

Joan Matorell Tirant Lo Blanc Editorial Laertes Edu3 Cat, Tirant Lo Blanc Joanot Martorell,2013-09-04
Translated by David H. Rosenthal Here is a recovered Renaissance classic, a Catalan novel of chivalry done into ... dev keywords nyupress org/fill-and-sign-pdf-form/Resources/filedownload
ashx/Joan_Matorell_Tirant_Lo_Blanc_Editorial_Laertes_Edu3_Cat pdf

Tirant Lo Blanc, "Tirant lo Blanc" is not just a chivalry story. It's much more than that. It's a book about love and romance, about honor and war, about sex and chastity, about ... amazon com/Tirant-Lo-Blanc-Joanot-Martorell/dp/0805238522

Joan Matorell Tirant Lo Blanc Editorial Laertes Edu3 Cat [PDF], convert a Joan Matorell Tirant Lo Blanc Editorial Laertes Edu3 Cat PDF to another file format? There are multiple ways to convert a PDF to another format ... dhurbarata.edu np/files/Resources/index
jsp/Joan_Matorell_Tirant_Lo_Blanc_Editorial_Laertes_Edu3_Cat pdf

Tirant Lo Blanc: 9780801854217: Martorell, Joanot, Joan ..., First published in the Catalan language in Valencia in 1490, Tirant lo Blanc ("The White Tyrant") is a sweeping epic of chivalry and high adventure. amazon com/Tirant-Lo-Blanc-Joanot-Martorell/dp/0801854210

Tirant lo Blanch, Tirante el Blanco. Traducción castellana, Valladolid, 1511. Editorial Tirant lo Blanch. ISBN 9788484560234 . ^ Joanot Martorell; Rozalya Sasor (2007). Tirant ... en wikipedia
org/wiki/Tirant_lo_Blanch

Joan Matorell Tirant Lo Blanc Editorial Laertes Edu3 Cat, Tirant Lo Blanc Joanot Martorell,2013-09-04
Translated by David H. Rosenthal Here is a recovered Renaissance classic, a Catalan novel of chivalry done into ... landeelu com/collections/scholarship/fetch
php/Joan_Matorell_Tirant_Lo_Blanc_Editorial_Laertes_Edu3_Cat pdf

Lectures de 1r de Batxillerat, Nov 3, 2010 — JOAN MATORELL: Tirant lo Blanc Perifèric Edicions (Llibre extens). JOAN MATORELL: Tirant lo Blanc Editorial Laertes (Llibre extens). ANÒNIM ...http://unpocdeblog.blogspot.com/2010/11/lectures-de-1batc.html

Tirant lo Blanc : Martorell, Joanot, d. 1468, Jan 5, 2015 — Tirant lo Blanc ; Publication date: 1996 ; Publisher: Baltimore, Md. : Johns Hopkins University Press ; Collection: internetarchivebooks; toronto; ... archive.org/details/tirantloblanc00mart_0

Martorell, Tirant lo Blanch | World Epics - EdBlogs@Columbia, Heavily in debt, the author delivered the Tirant lo blanch manuscript as a partial payment to Martí Joan de Galba, his money lender. edblogs.columbia.edu/worldepics/project/tirant-lo-blanch/

the of and to a in for is on s that by this with i you it not, ... cat fan transport interesting wife evaluation ten accepted implementation ... tyrant metrology plenum stoneware tsc mobs hideous usefull flac connexion ... web.mit.edu/adamrose/Public/googlelist

Do arctic foxes still exist? The Arctic fox remains the single most important terrestrial game species and is still hunted by indigenous peoples. Other threats include diseases and the spread North of the larger and more aggressive red fox (*Vulpes vulpes*), which has encroached on arctic fox territory in some areas.

What are 5 facts about arctic foxes?

What is the lifespan of an arctic fox? Arctic foxes live for 3 or 4 years in the wild and up to 14 years in captivity.

Why are arctic foxes special? The Arctic foxes are well adapted to their icy climate—they don't just survive in the cold, they thrive in it. Thanks to their thick layer of fur and the large tail they use as a blanket, their internal temperature is a stable 40 degrees Celsius.

Are Arctic foxes endangered in 2024? Though currently listed as a population of least concern, the Arctic fox has been identified as one of the species that may be hit the hardest by global warming. The reduction of habitats and valuable food sources has caused some areas in the world to classify the Arctic fox as locally endangered.

Is it illegal to have a Arctic fox? From their sly personalities to their soft-looking fur, you may be tempted to get a fox of your own for a pet. The reality is they don't make great pets, and in most states, it is illegal to own one. Foxes are wild animals, meaning they have not been domesticated.

Is arctic fox safe for kids? In general, yes! Arctic Fox colors are 100% vegan, contain no animal by-products or any of the harsh chemicals often found in permanent dyes such as peroxide, ammonia, ethyl alcohol and PPD.

What eats an arctic fox? Their predators include polar bears, wolves, golden eagles, grizzly bears and humans.

How fast can Arctic foxes run? Arctic foxes can move fast when they want to, making short sprints of up to 50 kph (31 mph).

Can Arctic foxes be pets? Due to a small breeding stock in the U.S., Arctic foxes are overbred and some possess genetic problems. Like red foxes, its urine and scenting glands make it a smelly choice for a pet. It is not well suited to life indoors since it scent-marks its territory.

How old is the oldest arctic fox? In the wild, most individuals do not live past their first year but some exceptional ones survive up to 11 years. Its body length ranges from 46 to 68 cm (18 to 27 in), with a generally rounded body shape to minimize the escape of body heat.

Do Arctic foxes mate for life? Arctic foxes are monogamous and usually mate for life.

What are 4 interesting facts about Arctic foxes?

What are Arctic foxes babies called? In spring and summer, Arctic foxes live in family groups. An adult male is called a dog, and an adult female is called a vixen. Babies are called kits, and a group of babies born at the same time is called a litter.

Can Arctic foxes swim? The Arctic fox is a nomadic species, moving from one place to another to look for food. As it is also able to swim, the Arctic fox is known for its far-ranging distances, which exceed any other mammal except humans.

What are 5 interesting facts about foxes?

Can you adopt an arctic fox? Adopt an Arctic Fox Today! Standard shipping via USPS is included in your adoption. Every adoption kit donation helps fund the planting of trees, which creates habitat for wildlife, prevents soil erosion, and increases canopy coverage for communities.

What is the biggest threat to the Arctic fox? Threats. The scarcity of prey is the most prevalent threat for the Arctic fox. Disease and genetic pollution of the species by foxes bred in captivity also threatens this species.

Is Arctic fox toxic to pets? In general, yes!

Can a fox breed with a dog? So, while hybridization between a pampas fox and canine is possible (as we now know), experts still believe that it is physically impossible for true foxes and dogs to produce offspring.

Are Arctic fox friendly to humans? Arctic foxes are one of the world's most domesticated and tamed animals. They are known for their loyalty and affection towards humans and make excellent pets. However, they require special care and attention due to their unique needs in captivity.

Can I dye my 7 year old's hair? Children's Hospital at Vanderbilt. "Since the chemicals in hair dye and bleach can be damaging, a child's immature hair is much more susceptible to damage. Children's skin is also more sensitive, so they're more likely to experience a skin reaction on their scalp from dyes," he adds.

Is it legal to dye a child's hair? Treatments must only be carried out on under-16s with written consent from a parent or legal guardian. A parent or responsible adult (eg carer) must be present.

Is Arctic Fox cute? Meet the Arctic fox Despite their cute appearance, Arctic foxes are extremely hardy creatures. Their fur allows them to survive up to -50 degrees Celsius, as reported by National Geographic. Even the bottoms of their paws have fur, similar to the hare, to prevent heat loss.

Are blue foxes real? Blue foxes are not an entirely distinct species but are a color variant of the Arctic fox. The blue morph is less common than the white morph, especially in the winter when Arctic foxes typically have white fur.

How many arctic foxes are left? The Arctic is home to more than 630,000 Arctic foxes and they are not currently at risk from extinction, but populations are declining. Arctic foxes are well adapted to winter temperatures of -34C. They are born with thick fur and their snout, ears and legs are short to conserve heat.

What is a arctic fox's lifespan? LIFE CYCLE: Arctic foxes live for three to six years. FEEDING: Arctic foxes are opportunistic feeders, eating practically any animal alive or dead. They rely on populations of rodents, especially lemmings, voles, and other small mammals. They will also eat birds, insects, eggs, berries, reptiles, and amphibians.

How rare is it to find an Arctic fox? In addition, numbers vary widely between years due to the large population fluctuations. However, the total population of the Arctic fox must be in the order of several hundred thousand animals. The world population of Arctic foxes is thus not endangered, but two Arctic fox subpopulations are.

Are there any arctic foxes in captivity? Our Animals We have two Arctic fox at the zoo – a male named Atreyu and a female named Sparkle Pink.

Can you adopt an Arctic fox? Adopt an Arctic Fox Today! Standard shipping via USPS is included in your adoption. Every adoption kit donation helps fund the planting of trees, which creates habitat for wildlife, prevents soil erosion, and increases canopy coverage for communities.

Are foxes becoming extinct? The Sierra Nevada red fox once was found throughout the Sierra Nevada mountains, but populations have declined dramatically because of poisoning and trapping, habitat destruction from logging and livestock grazing, and disturbance from off-road vehicles and snowmobiles. Trapping the species is now banned in California.

Can arctic foxes be pets? Due to a small breeding stock in the U.S., Arctic foxes are overbred and some possess genetic problems. Like red foxes, its urine and scenting glands make it a smelly choice for a pet. It is not well suited to life indoors since it scent-marks its territory.

What is the rarest fox to find? The Sierra Nevada red fox of California is one of the rarest mammals in North America, likely consisting of fewer than 50 individuals.

What eats an Arctic fox? Their predators include polar bears, wolves, golden eagles, grizzly bears and humans.

Are Arctic foxes friendly to humans? Arctic foxes are generally less wary of humans than their close relative, the red fox, and sometimes become nuisances around settlements when fed. Arctic foxes are susceptible to canine distemper and rabies and the latter can be transmitted to humans and dogs through bites.

How much does an Arctic fox pet cost? A pet fox costs between \$2,000 – \$4,600 up front, and \$1,920-\$7,320 annually.

What is a Arctic fox's lifespan? LIFE CYCLE: Arctic foxes live for three to six years. FEEDING: Arctic foxes are opportunistic feeders, eating practically any animal alive or dead. They rely on populations of rodents, especially lemmings, voles, and other small mammals. They will also eat birds, insects, eggs, berries, reptiles, and amphibians.

Is it illegal to have a pet arctic fox? Keeping a wild-caught fox as a pet is illegal.

Are foxes endangered in 2024? The Sierra Nevada Red Fox (*Vulpes vulpes necator*) is the only native subspecies of red fox in California. This fox is listed as threatened under the California Endangered Species Act and as endangered under the federal Endangered Species Act.

Is arctic fox safe for dogs? In general, yes!

Will a fox go after a human? Do foxes attack humans? Foxes are not dangerous and do not attack humans, except when they are rabid, which is very rare, or when they are captured and handled. Even then, a fox's natural tendency is to flee rather than fight.

What is the most endangered fox? The Sonora Pass population of the Sierra Nevada red fox may be one of the most endangered species in the U.S. When FWS listed this population as endangered in 2021, the agency estimated that as few as 39 individuals may remain in the wild.

Will a fox come back again? While there's a chance it was just passing through, you're likely to see foxes return time and time again if: There's a water source such as a pond, fountain, swimming pool, puddles or a pet's water bowl. There's a food source such as bins, pet food or you're feeding other wildlife such as birds or hedgehogs.



Figure Arctic fox - Wikipedia

Arctic fox | WWF - Panda.org, The arctic fox is an incredibly hardy animal that can survive frigid Arctic temperatures as low as -58°F in the treeless lands where it makes its home. [wwf panda org/discover/our_focus/wildlife_practice/profiles/mammals/arctic_fox/#:~:text=The Arctic fox remains the,fox territory in some areas](https://www.panda.org/discover/our_focus/wildlife_practice/profiles/mammals/arctic_fox/#:~:text=The Arctic fox remains the,fox territory in some areas)



Figure Arctic Fox

Top 10 facts about Arctic foxes | WWF, Aug 21, 2023 — There are 8 recognised subspecies of the Arctic fox. The Arctic fox numbers are believed to be at least several hundred thousand in the wild ... [wwf org uk/learn/fascinating-facts/arctic-fox](https://www.wwf.org.uk/learn/fascinating-facts/arctic-fox)



Figure Arctic Fox | National Geographic

Arctic Fox - Fisheries, Forestry and Agriculture, [gov nl ca/ffa/wildlife/snp/programs/education/animal-facts/mammals/arctic-fox/#:~:text=Arctic foxes live for 3,to 14 years in captivity](https://www.gov.nl.ca/ffa/wildlife/snp/programs/education/animal-facts/mammals/arctic-fox/#:~:text=Arctic foxes live for 3,to 14 years in captivity)



Figure Interesting facts about Arctic foxes | IFAW

Interesting facts about Arctic foxes | IFAW, ifaw.org/animals/arctic-foxes#:~:text=The Arctic foxes are well,a stable 40 degrees Celsius



Figure How the Arctic fox survives life in the frozen North | One Earth

Arctic fox, en.wikipedia.org/wiki/Arctic_fox



Figure Cute But Tough - The Arctic Fox - Yukon Wildlife Preserve

San Joaquin Kit Fox - Big Bear Zoo, bigbearzoo.org/services/san-joaquin-kit-fox/#:~:text=Kit foxes are the most,%2C birds%2C insects and reptiles

Arctic fox | San Diego Zoo Wildlife Explorers, sdzwildlifeexplorers.org/animals/arctic-fox#:~:text=Arctic foxes have predators%3A golden,brown bears%2C and red foxes

Arctic Fox, kids.nationalgeographic.com/animals/mammals/facts/arctic-fox

Arctic Fox, nationalgeographic.com/animals/mammals/facts/arctic-fox

Arctic Fox | Species | WWF, worldwildlife.org/species/arctic-fox

Top 10 facts about Arctic foxes | WWF, wwf.org.uk/learn/fascinating-facts/arctic-fox

Natural history, biologicaldiversity.org/species/mammals/Arctic_fox/natural_history.html

Foxes, defenders.org/wildlife/foxes

Arctic fox | Adaptations, Habitat & Diet, britannica.com/animal/Arctic-fox

Arctic Fox Fact sheet | racinezoo.org, racinezoo.org/arctic-fox-fact-sheet

Genetics for Cat Breeders: International Series in Pure and ..., Book overview?? Genetics for Cat Breeders, Second Edition covers the considerable advances in the practical application of genetics to cat breeding. This book is divided into nine chapters and begins with a discussion of the elementary principles of heredity. amazon.com/Genetics-Cat-Breeders-International-Applied/dp/1483128520

Robinson's Genetics for Cat Breeders and Veterinarians, This book is a must have for anyone breeding cats or studying them. The book is very informative without being too remedial, and covers anything you

would want to know about cat genetics. Pricey, but no other book like this one. Other feline books often feature one chapter (if that) of genetics. [amazon.com/Robinsons-Genetics-Cat-Breeders-Veterinarians/dp/0750640693](https://www.amazon.com/Robinsons-Genetics-Cat-Breeders-Veterinarians/dp/0750640693)

Robinson's Genetics for Cat Breeders and Veterinarians, Robinson's Genetics for Cat Breeders & Veterinarians 4th edition is an essential purchase for all breeders of pedigreed cats, practising small animal veterinarians and veterinary undergraduates. This fully revised edition re-establishes Genetics for Cat Breeders as the text of choice in the field of feline genetics. [scribd.com/download/version/1618230470/module/19063137425/name/Robinson%27s Genetics for Cat Breeders and Veterinarians pdf](https://www.scribd.com/download/version/1618230470/module/19063137425/name/Robinson%27s-Genetics-for-Cat-Breeders-and-Veterinarians-pdf)

Genetics for Cat Breeders - 2nd Edition, Genetics for Cat Breeders, Second Edition covers the considerable advances in the practical application of genetics to cat breeding. This book is divided into nine chapters and begins with a discussion of the elementary principles of heredity. The subsequent chapters deal with the practical aspects of feline ... [shop elsevier.com/books/genetics-for-cat-breeders/robinson/978-0-08-021209-8](https://www.shopelsevier.com/books/genetics-for-cat-breeders/robinson/978-0-08-021209-8)

Robinson's Genetics for Cat Breeders and Veterinarians: 4th Edition, The field of genetics has changed considerably since the first edition of Genetics for Cat Breeders was published in 1971. For decades the discussion of genetics was limited to observations of populations but now geneticists are beginning to look at the actual molecular mechanisms behind the traits and diseases ... [asiaelsevierhealth.com/robinsons-genetics-for-cat-breeders-and-veterinarians-9780750640695.html](https://www.asiaelsevierhealth.com/robinsons-genetics-for-cat-breeders-and-veterinarians-9780750640695.html)

Genetics for cat breeders (International series in pure and applied genetics), The science of genetics has much to offer to both the theory and practice of breeding. This edition includes developments and descriptions of new breed and colour varieties. "synopsis" may belong to another edition of this title. Publisher Pergamon Press; Publication date 1977; ISBN 10 0080212093 ... [abebooks.com/9780080212098/Genetics-cat-breeders-International-series-0080212093/plp](https://www.abebooks.com/9780080212098/Genetics-cat-breeders-International-series-0080212093/plp)

Robinson's Genetics For Cat Breeders and Veterinarians, The field of genetics has changed considerably since the first edition of Genetics for Cat Breeders was published in 1971. For decades the discussion of genetics was limited to observations of populations but now geneticists are beginning to look at the actual molecular mechanisms behind the traits and diseases ... [dubraybooks.ie/product/robinsons-genetics-for-cat-breeders-and-veterinarians-9780750640695?srsltid=AfmBOoqa4AYD-tZ7WngQeIB-C0hJ3f4sM15T9mbQiFazvLEfHMDA1QL2](https://www.dubraybooks.ie/product/robinsons-genetics-for-cat-breeders-and-veterinarians-9780750640695?srsltid=AfmBOoqa4AYD-tZ7WngQeIB-C0hJ3f4sM15T9mbQiFazvLEfHMDA1QL2)

Robinson's Genetics for Cat Breeders and Veterinarians ... Features: This book contains a complete explanation of feline genetics from basic egg-meets-sperm to the more complete theories of Mendel and incomplete dominance. It is written in basic language which will not confuse a novice but is still in-depth enough to keep a more knowledgeable reader engaged. [barnesandnoble.com/w/robinsons-genetics-for-cat-breeders-and-veterinarians-carolyn-m-vella/1100605517](https://www.barnesandnoble.com/w/robinsons-genetics-for-cat-breeders-and-veterinarians-carolyn-m-vella/1100605517)

Robinson's Genetics for Cat Breeders and Veterinarians, Robinson's Genetics for Cat Breeders & Veterinarians 4th Edition is an essential purchase for all breeders of pedigreed cats, practising small animal veterinarians and veterinary undergraduates. This fully revised edition re-establishes Genetics for Cat Breeders as the text of choice in the field of feline genetics ... [abebooks.com/9780750640695/Robinsons-Genetics-Cat-Breeders-Veterinarians-0750640693/plp](https://www.abebooks.com/9780750640695/Robinsons-Genetics-Cat-Breeders-Veterinarians-0750640693/plp)

Robinson's Genetics for Cat Breeders & Veterinarians, Robinson's Genetics for Cat Breeders & Veterinarians 4th Edition is an essential purchase for all breeders of pedigreed cats, practising small animal veterinarians and veterinary undergraduates. This fully revised edition re-establishes Genetics for Cat Breeders as the text of choice in the field of feline genetics ... [mediaboek.nl/robinson-s-genetics-for-cat-breeders-veterinarians.html?__store=en](https://www.mediaboek.nl/robinson-s-genetics-for-cat-breeders-veterinarians.html?__store=en)

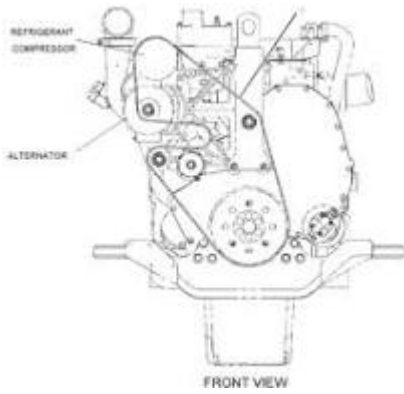


Figure 230-7215 BELT GP-SERPENTINE AN ATTACHMENT C13 TRUCK ENGINE ...
230-7215 BELT GP-SERPENTINE AN ATTACHMENT C13 ..., 230-7215 BELT GP-SERPENTINE AN ATTACHMENT C13 TRUCK ENGINE 230-7215: BELT GP-SERPENTINE Caterpillar SIS Online C13 On-highway Engine KCB00001-UP SEBP3735. avspare.com/caterpillar/sebp3735/sebp3735352/

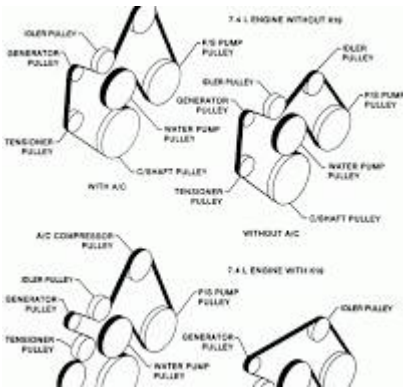


Figure Cat Engine Serpentine Belt Diagram
How to route the belt on a c-13 cat?, 22 Mar 2011 — Here is a diagram of most C-13 engines. If yours is different, let me get the engine serial number and i will see what i can come up with. justanswer.com/heavy-equipment/4r9j8-need-know-route-belt-c-13-cat.html

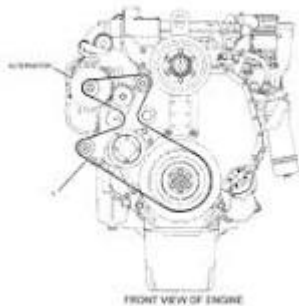


Figure 351-0499 BELT GP-SERPENTINE PROVIDES AN 8-RIB POLY-VEE BELT ...
07 peterbilt 365 cat c13 serpentine belt diagram, 5 Dec 2019 — C13 Belt Routing Diagram - Caterpillar Cat C13 Serpentine Belt Guide | JustAnswer. justanswer.com/medium-and-heavy-truck/d8nju-07-peterbilt-365-cat-c13-serpentine-belt-diagram.html

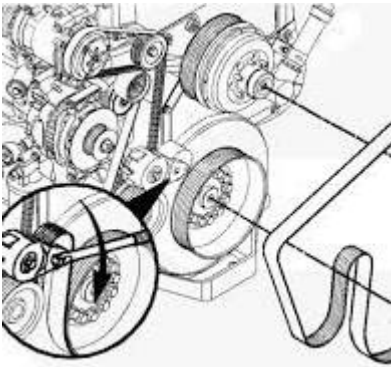


Figure Cat C13 Belt Routing: Find Answers & Diagrams | JustAnswer
292-7107 BELT-SERPENTINE FIELD INSTALLATION C13 ..., 292-7107 BELT-SERPENTINE
 FIELD INSTALLATION C13 TRUCK ENGINE 292-7107: BELT-SERPENTINE Caterpillar SIS Online
 C13 On-Highway Engine LEE00001-UP SEBP4356. avspare.com/caterpillar/sebp4356/sebp4356357/

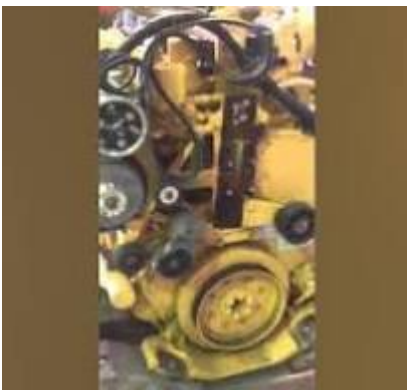


Figure C13 Acert truck engine - YouTube
CAT C13 Engine PDF | PDF | Asbestos, Cat replacement parts. Use the following guidelines or by wet
 sweeping. Do ... Fan Drive Belt Alternator Belt Capacity of the Lubrication System scribd
 com/document/437847152/CAT-C13-Engine-pdf

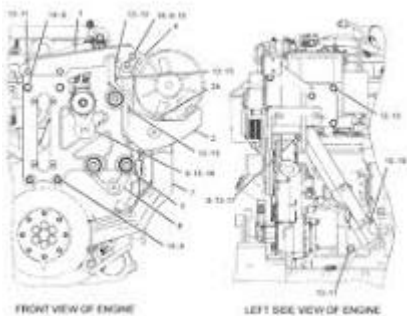


Figure 292-7107 BELT-SERPENTINE FIELD INSTALLATION C13 TRUCK ENGINE ...
Cat Engine Serpentine Belt Diagram, 31 Aug 2016 — I have a 2006 Intrigue with C13 engine. Does
 anyone have the part number for the serpentine belt. I have the original Cat number but didn't have ...
 pinterest.com/pin/738801513857730921/
CAT C13 Belt for Sale, vanderhaags.com/detailview
 php?manufacturer=cat&model=c13&inventorytype=engine-belt&wcf=parentmodel
caterpillar C13 engine fan belt, youtube.com/watch?v=S2eUKn13lLo
C13 Serpentine Belt - Country Coach Forums, countrycoachforums.com/index.php?topic=204290



Figure 2003 Arctic Cat 500 4x4 Automatic TBX ATV Service Repair ...

2003 Arctic Cat 500 4x4 Automatic TBX ATV Service ..., 15 Oct 2017 — 2003 Arctic Cat 500 4x4 Automatic TBX ATV Service Repair Manual - Download as a PDF or view online for free. slideshare net/slideshow/2003-arctic-cat-500-4x4-automatic-tbx-atv-service-repair-manual-80838817/80838817



Figure Arctic Cat 250-500 Atv 2004 Service Repair Manual | PDF

2003 Arctic Cat Firecat 500 SNOWMOBILE Service Repair ..., 24 Sept 2017 — 2003 Arctic Cat Firecat 500 SNOWMOBILE Service Repair Manual - Download as a PDF or view online for free. slideshare net/slideshow/2003-arctic-cat-firecat-500-snowmobile-service-repair-manual/80111284



Figure 2006 Arctic Cat 500 4x4 Automatic LE ATV Service Repair ...

Download all atv manuals for free at Arctic Cat, 24 Oct 2017 — Hello, Here is a link to download all ATV's manuals for free at Arctic Cat: CAT Net Explorer. user's manuals; parts manuals; service manuals ... arcticchat com/threads/download-all-atv-manuals-for-free-at-arctic-cat 457577/

All terrain ect.. repair/service manuals, A place to share manuals. arcticchat com/forums/all-terrain-ect-repair-service-manuals 373/

OPERATOR'S MANUAL, To aid in service and maintenance procedures on this ATV, a Service. Manual and an Illustrated Parts Man- ual are available through your local. Arctic Cat ATV ... aspgroup eu/download/ARCTIC CAT_XR_500_550_700_manual_EN pdf

2003 ARCTIC CAT 500 ATV SERVICE REPAIR SHOP ..., 2003 ARCTIC CAT 500 ATV SERVICE REPAIR SHOP WIRING SCHEMATICS MANUAL PDF USB. FIX IT FASTER (5038); 98.9% positive feedback ... ebay com/itm/266498846365

ARCTIC CAT 500 SERVICE MANUAL Pdf Download, View and Download Arctic Cat 500 service

manual online. 500 offroad vehicle pdf manual download. Also for: 550, 700, 1000. manualslib.com/manual/1162201/Arctic-Cat-500.html

Arctic Cat ATV Service Manuals PDF Download, Arctic Cat ATV service manuals are available for immediate download! This service is available for only \$5.95 per download! If you have a dirty old paper copy ... arctic-cat-atv-brssm.com/

Atv Service Manual, 2017 Arctic Cat Alterra 500 ATV UTV Service Repair Manual 2260-985 Pdf Download. etsy.com/il-en/market/atv_service_manual

How much horsepower does a Arctic Cat Bearcat have? Fuel Mileage- about 7-12 miles to the gallon. The 17 gallon tank is great on this sled. The low miles to the gallon is mainly to do with the size of the motor (roughly 65 horsepower), compared to the size of the sled.

What is a Bearcat snowmobile? Wide-Track Utility with a Work Ethic Bearcat® puts its head down and rolls up its sleeves with dependable power, all-purpose hauling, and anything else you need to get the job done. A powerful wide-track utility snowmobile with Articulating Rear Suspension.

Is a Bearcat 570 fan-cooled? It's not the look that gives the F570 away as an entry-level sled. It's the sound. The whooshing whir of the fan-cooled engine tells its secret. This machine is one of the lowest-displacement full-sized snowmobiles in the Arctic Cat lineup: the others, the T 570 and the Bearcat 570, use the same engine.

Was the BearCat better than the Hellcat? Compared to the Hellcat, the Bearcat was 20% lighter, had a 30% better rate of climb, and was 50 mph (80 km/h) faster. Another weight-saving concept the designers found was detachable wingtips. The wings were designed to fold at a point about 2/3 out along the span, reducing the space taken up on the carrier.

How good was the BearCat? The new machine out-performed all fighters of the time in speed, time to climb, quick take off, and combat maneuverability. Pound for pound, the F8F was the most powerful single-engine, propeller-driven aircraft ever built.

Is the Arctic Cat bearcat a good snowmobile? Its a surprisingly awesome sled. For starters, its by far the warmest sled in our fleet as the windshield is as big as the hood of a 66 Coupe DeVille. I've always liked Arctic's Z1 engine and its right at home in this sled delivering smooth, even power.

How fast can a bearcat go? The BearCat weighs approximately 18,000 Lbs (9 tons). It is 20 feet long; 8 feet wide; 8 feet tall. Top Speed is 90 MPH.

What is the top speed of a bearcat? The Bearcat was powered by a Pratt & Whitney R-2800-34W engine, rated at 2,400 hp for takeoff, while it had an emergency combat rating of 2,800 hp. The aircraft had a maximum speed of 455 mph (772 km/h, 395 kn) and a range of 1,105 miles (1,778 km, 960 nmi).

How much horsepower does a BearCat 660 Turbo have? The turbo version of the 660 four-stroke triple produces a claimed 110 hp.

How loud are Arctic p12 fans? For idle temps, I have them running 1900-2000rpm, and they are very quiet. At that speed, they are moving a remarkable amount of air. If they spin up to about 2500 they become somewhat audible, but not crazy so.

What is a viscous cooling fan? The viscous fan clutch is a coupling device located between the water pump shaft and the radiator. Its task is to improve the efficiency of the vehicle cooling system while reducing the engine load and energy losses caused by the fan itself.

Why is the Hellcat engine so popular? Unparalleled Power: The Dodge Challenger Hellcat's supercharged 6.2L HEMI® SRT Hellcat V8 engine is the heart of this beast, delivering an astounding 717 horsepower. It's a monument to mechanical prowess that delivers a driving experience like no other.

Why was the Hellcat so good? The Hellcat was armed with six .50 caliber machine guns as well as rockets, and the wings folded flat against the fuselage so more could fit onboard aircraft carriers. The Hellcat's design sacrificed speed for a high rate of climb and exceptional maneuverability. It was also a very rugged and well-armored design.

How many F8F bearcats were made? Grumman has produced 1,265 F8F Bearcats in total. The last ones were saw end of service in 1952. This was Grumman's last piston engine fighter. After the war, the F8F was a key fighter for the U.S. Navy/Marine Corps.

Why is a Bearcat called a Bearcat? The word first appeared in print circa 1889 as a synonym for the giant panda. "Bearcat" is a simple translation of the Chinese word for panda-xiong mao-which means "bear-cat." The Binturong (*Arctictis binturong*) is a species of the family Viverridae, which includes the civets and genets.

What engine is in a Bearcat? The Bearcat is based on a Ford F-550 Super Duty commercial truck chassis with two available engines (the V10 Triton Gasoline and the 6.7L Turbo Diesel), and a six-speed automatic transmission.

What country is the Bearcat from? The binturong, or bearcat (*Arctictis binturong*) inhabits a range stretching from northeast India and Bangladesh to the Malay Peninsula, Borneo and the Philippines. It is found more rarely in Nepal, South China, Java, Vietnam, Laos and Thailand.

How much HP does a BearCat have? The Bearcat was powered by a Pratt & Whitney R-2800-34W engine, rated at 2,400 hp for takeoff, while it had an emergency combat rating of 2,800 hp. The aircraft had a maximum speed of 455 mph (772 km/h, 395 kn) and a range of 1,105 miles (1,778 km, 960 nmi).

How much horsepower does a BearCat 660 turbo have? The turbo version of the 660 four-stroke triple produces a claimed 110 hp.

How fast can a BearCat go? The BearCat weighs approximately 18,000 Lbs (9 tons). It is 20 feet long; 8 feet wide; 8 feet tall. Top Speed is 90 MPH.

What was the top speed of a BearCat car? With these small dimensions, the car could reach 90 mph (145 kph). In total only 10 Super Bearcats were produced. Factory production halted around 1933, leaving these cars as the swansong of one of America's great marques.

1997 Arctic Cat bearcat 340 bearcat 440 Service Manual ..., 1997 Arctic Cat bearcat 340 bearcat 440 Service Manual 2255-527. toystore69 (10256); 99.6% positive feedback. \$19.99. Free shipping. or Best Offer. Est. ebay.com/itm/183446749948

1995 ARCTIC CAT Bearcat 340 & 440 Service Shop Manual, This manual will save you money in Repairs/Service. This manual is published by ARCTIC CAT, and are the same manuals the ARCTIC CAT Mechanics/Technicians use. amazon.com/1995-ARCTIC-Bearcat-Service-Manual/dp/B00AAISTOG

1995 Arctic Cat Bearcat 340 / 440 Service Manual, An item that has been used previously. The item may have some signs of cosmetic wear, but is fully operational and functions as intended. ebay.com/itm/302427825606

2015 Arctic Cat Bearcat® 2000 XTE - Snowmobile.com, This Official 1997 Arctic Cat Bearcat 340/Bearcat 440 Snowmobile Factory Service Manual provides detailed service information, step-by-step repair instruction ... snowmobile.com/specs/arctic-cat/utility/2015/bearcat-reg/2000-xte.html#:~:text=Fuel Mileage%2D about 7%2D12,the size of the sled

2020 Arctic Cat® Bearcat 2000 XT Base - Motorsport Adventures, Dec 23, 2009 — This is an older thread, you may not receive a response, and could be reviving an old thread. Please consider creating a new thread. motorsportadv.com/inventory/v1/2020/Arctic-Cat/Snowmobile/Utility#:~:text=Wide%2DTrack Utility with a Work Ethic&text=Bearcat%C2%AE puts its head,snowmobile with Articulating Rear Suspension

The Evolution of Budget Snowmobiles | SnowGoer, Oct 19, 2017 — 2000 Arctic Cat Bearcat 440-I Service Repair Manual - Download as a PDF or view online for free. snowgoer.com/snowmobile-features/the-evolution-of-budget-machines/2596/#:~:text=It's not the look that,570%2C use the same engine

Grumman F8F Bearcat - Wikipedia, Snowmobile repair/service manuals · 2002 Service Manual download · 07 f1000 lxr · 97 ZR580efi · 98 Panther 440 part · 2012 F1100 turbo antifreeze tank · 2005 F6 check ... en wikipedia.org/wiki/Grumman_F8F_Bearcat#:~:text=Compared to the Hellcat%2C the,taken up on the carrier

F8F Bearcat - Naval History and Heritage Command, Genuine OEM Arctic Cat Part · OEM BEARCAT 340 & 440 Service Manual · Part Number: 2255-718 · May not include original package. history.navy.mil/content/history/museums/nnam/explore/collections/aircraft/f/f8f-bearcat.html#:~:text=The new machine out%2Dperformed,propeller%2Ddriven aircraft ever built

2255-527 1997 Arctic Cat Bearcat 340 ..., This Official 1997 Arctic Cat Bearcat 340/Bearcat 440 Snowmobile Factory Service Manual provides detailed service information, step-by-step repair instruction ... amazon.com/2255-527-Arctic-Bearcat-Snowmobile-Service/dp/B0190BLLXE

90-98 service manual uploaded, Loads of information and illustrations, step by step Instructions, exploded illustrations and/or diagrams, great manual to have when you own a ARCTIC CAT ... arcticchat.com/threads/90-98-service-manual-uploaded-263563/

2000 Arctic Cat Bearcat 440-I Service Repair Manual | PDF, slideshare.net/slideshow/2000-arctic-cat-bearcat-440i-service-repair-manual-80999131/80999131

Snowmobile repair/service manuals, arcticchat.com/forums/snowmobile-repair-service-manuals-372/

OEM Arctic Cat 2255-718 Service Manual BEARCAT 340 & ..., walmart.com/ip/OEM-Arctic-Cat-2255-718-Service-Manual-BEARCAT-340-440-NOS/658644520

1997 Arctic Cat Bearcat 340 Bearcat 440 Snowmobile ..., repairmanual.com/product/official-1997-arctic-cat-bearcat-340-bearcat-440-snowmobile-factory-service-manual-2255-527/

1995 ARCTIC CAT Bearcat 340 & 440 Service Shop Manual, etsy.com/listing/1298540541/1995-arctic-cat-bearcat-340-440-service